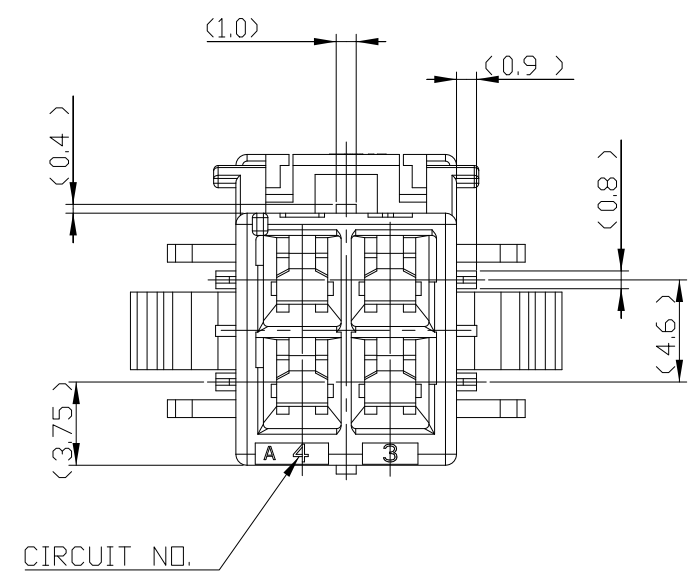
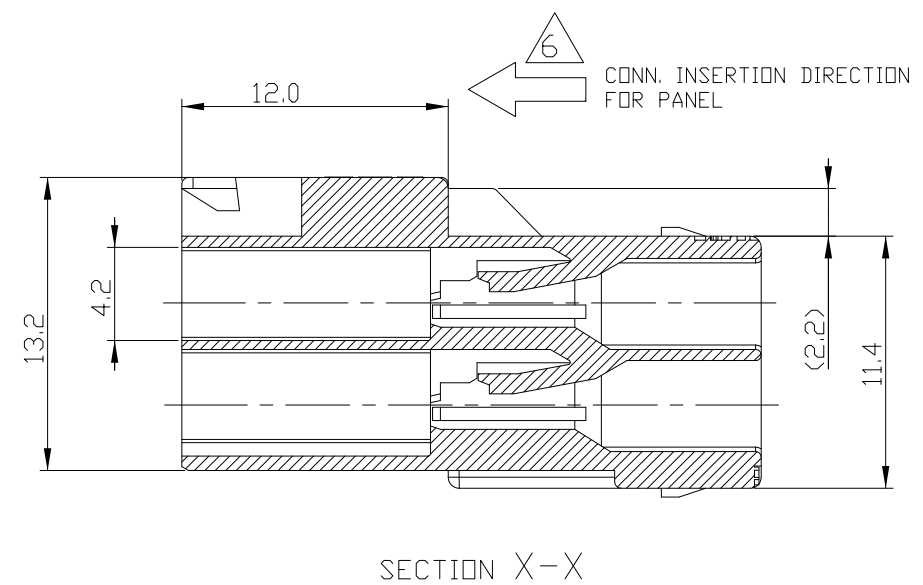
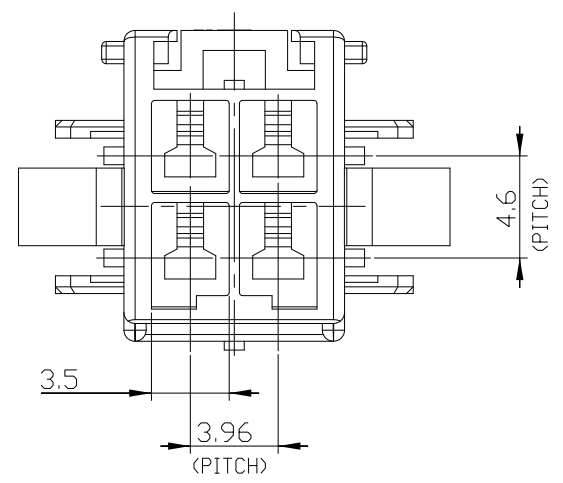
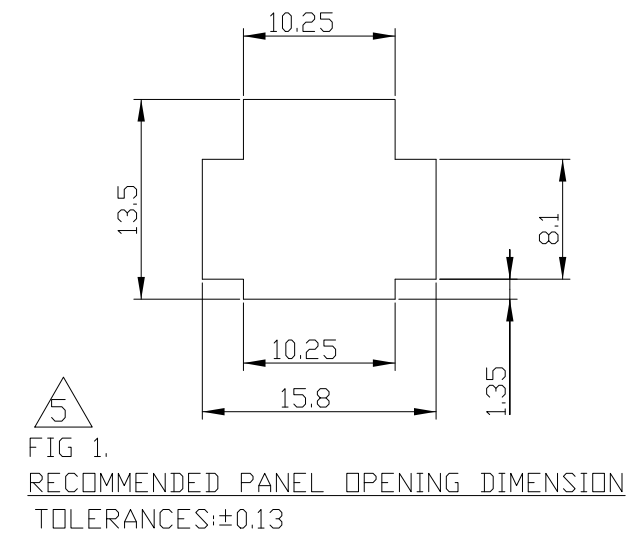
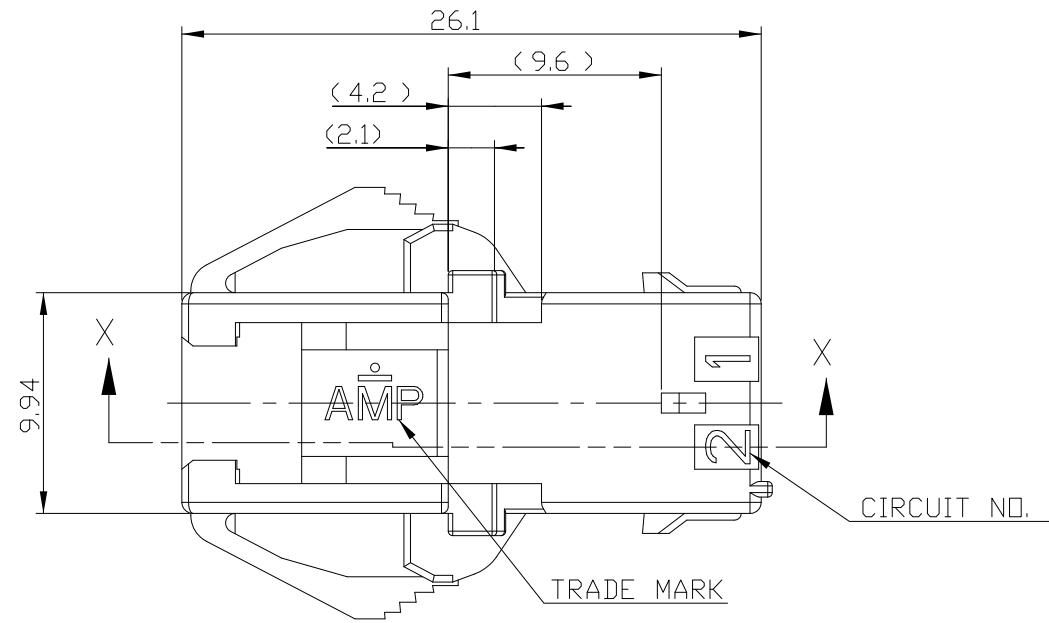


THIS DRAWING IS UNPUBLISHED. RELEASED FOR PUBLICATION 20
 © COPYRIGHT 20 BY TYCO ELECTRONICS CORPORATION. ALL RIGHTS RESERVED.

LOC	DIST	REVISIONS			
P	LTR	DESCRIPTION	DATE	DWN	APVD
DS	-				
	A	RELEASED	02.MAR'09	SC	JK

- NOTE;
- 1.APPLICABLE CONTACT P/N
 -TAB CONTACT:177917- □(AWG#16-#20)
 177916- □(AWG#22-#26)
 - 2.MATING CONN.P/N
 -PLUG HSG: □-368575-□
 -REC CONTACT:177915- □(AWG#16-#20)
 177914- □(AWG#22-#26)
 - 3.APPLICABLE DOUBLE LOCK PLATE: □-368590-1
 - 4.GENERAL TOLERANCES:±0.3
 - 5.APPLICATON PANEL THICKNESS: 0.8~2.0 (SEE FIG 1.)
 - 6.INSERT CONN. FROM PRESS DIRECTION SIDE FOR METAL PANEL.
 7.EDGE OF THICKNESS MAY MUST NOT ROUND FOR MOLDED PANEL.
 - 8.ACCORDING TO IEC 60335-1 4.2 EDITION
 -PART MEETS GWT 750°& 850°C.
 -MATERIAL MEETS BALL PRESSURE TESTING AT 125°C.
 -MATERIAL HAS CTI VALUE OF 250V.
 - 9.MIN.THICKNESS OF INSULATING MATERIAL BETWEEN ADJACENT POLES: 0.30mm



1-368589-6	PA66 UL94V-0	BLUE
1-368589-4		YELLOW
1-368589-2		RED
1-368589-1		NATURAL
368589-6	PA66 UL94V-2	BLUE
368589-4		YELLOW
368589-2		RED
368589-1		NATURAL
P/N	MATERIAL	COLOR

THIS DRAWING IS A CONTROLLED DOCUMENT FOR TYCO ELECTRONICS CORPORATION
 IT IS SUBJECT TO CHANGE AND THE CONTROLLING ENGINEERING ORGANIZATION
 SHOULD BE CONTACTED FOR THE LATEST REVISION.

DIMENSIONS:		TOLERANCES UNLESS OTHERWISE SPECIFIED:	
mm			
0 PLC	±		
1 PLC	±		
2 PLC	±		
3 PLC	±		
4 PLC	±		
ANGLES	±		
MATERIAL	-	FINISH	-

DWN SC KIM	AMP KOREA Kyungsan, Korea			
CHK BW KANG				
APVD JK SONG	NAME			
PRODUCT SPEC 108-61106	PDL 4P CAP HSG 3.96mm D/R P/M (GWT)			
APPLICATION SPEC	SIZE	CAGE CODE	DRAWING NO	RESTRICTED TO
WEIGHT	A3	00779	368589	-
CUSTOMER DRAWING	SCALE	N/A	SHEET	1 OF 1
			REV	A